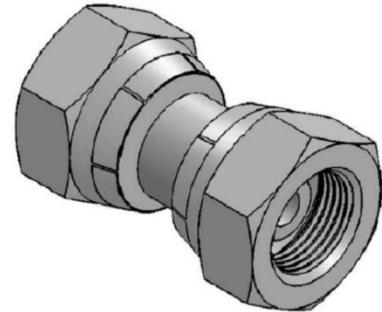
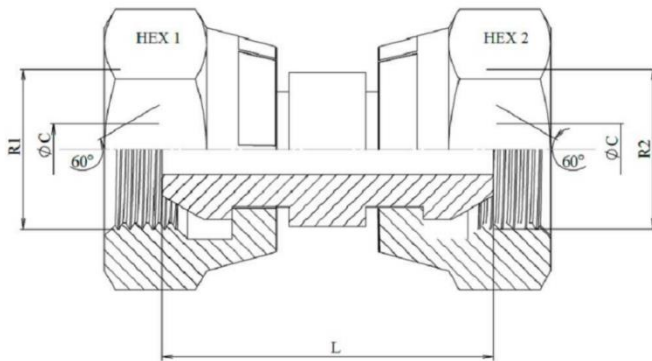


DATA SHEET - TEHNIČNI LIST



	R1	R2	HEX 1	HEX 2	ØC	L	⚖ (Kg)
81143	1/4" BSP	1/4" BSP	19	19	4	26	0,059
81144	3/8" BSP	3/8" BSP	22	22	7	28	0,088
81145	1/2" BSP	1/2" BSP	27	27	9,5	34	0,149
81146	3/4" BSP	3/4" BSP	32	32	15	39	0,213
82728	1" BSP	1" BSP	41	41	19	47	0,321
82729	1"1/4 BSP	1"1/4 BSP	50	50	26	51	0,572
82730	1"1/2 BSP	1"1/2 BSP	55	55	32	55	0,705
82731	2" BSP	2" BSP	70	70	44	55	0,979